

Standard

R26

Features >>

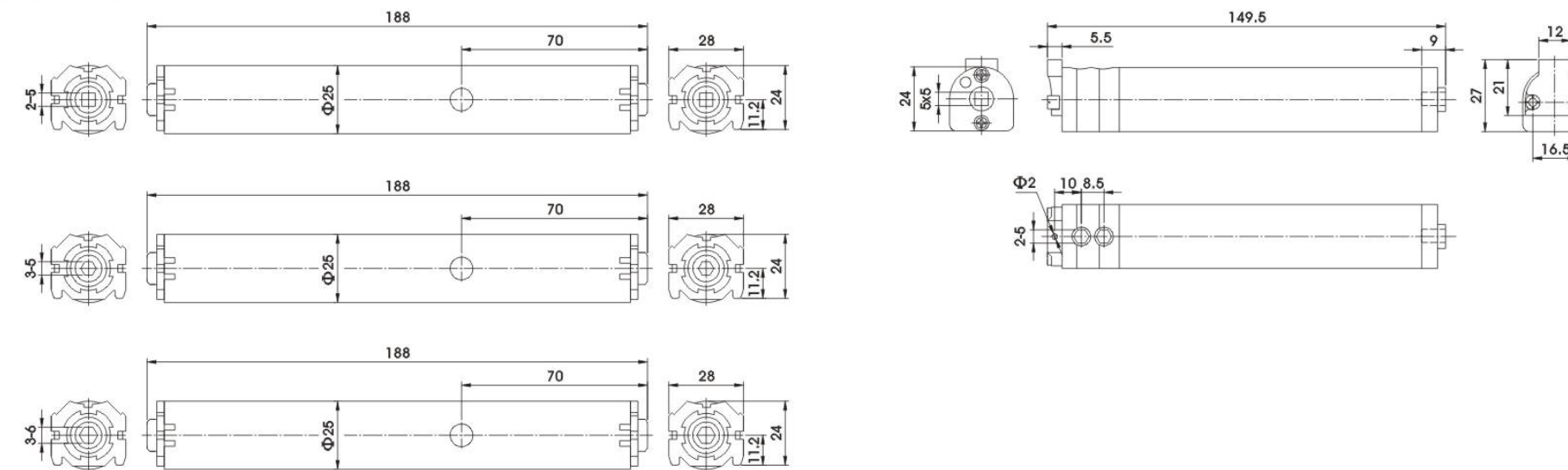
- Φ25 mm diameter ,noiseless DC24V input motor.
- Stable Mechanical limit system can easily set the limit .
- Adaptable for all of various mini roman blinds, cellular blinds.
- Double output shaft are available for installing in the middle position of the rail.

Parameters >>

| Item No | Product Name | Rated Voltage | Rated Current | Rated Torque | Rated Speed | Max.limit | Protection Index | Net Weight |
|---------|--------------|---------------|---------------|--------------|-------------|-----------|------------------|------------|
| 007024 | R26-I | 24VDC | 0.25A | 2×0.7Nm | 21rpm | 56 Turns | IP40 | 0.25Kg |
| 007003 | R26-II | 24VDC | 0.25A | 2×0.4Nm | 42rpm | 56 Turns | IP40 | 0.25Kg |



Dimensions >>



Connection diagram >>

